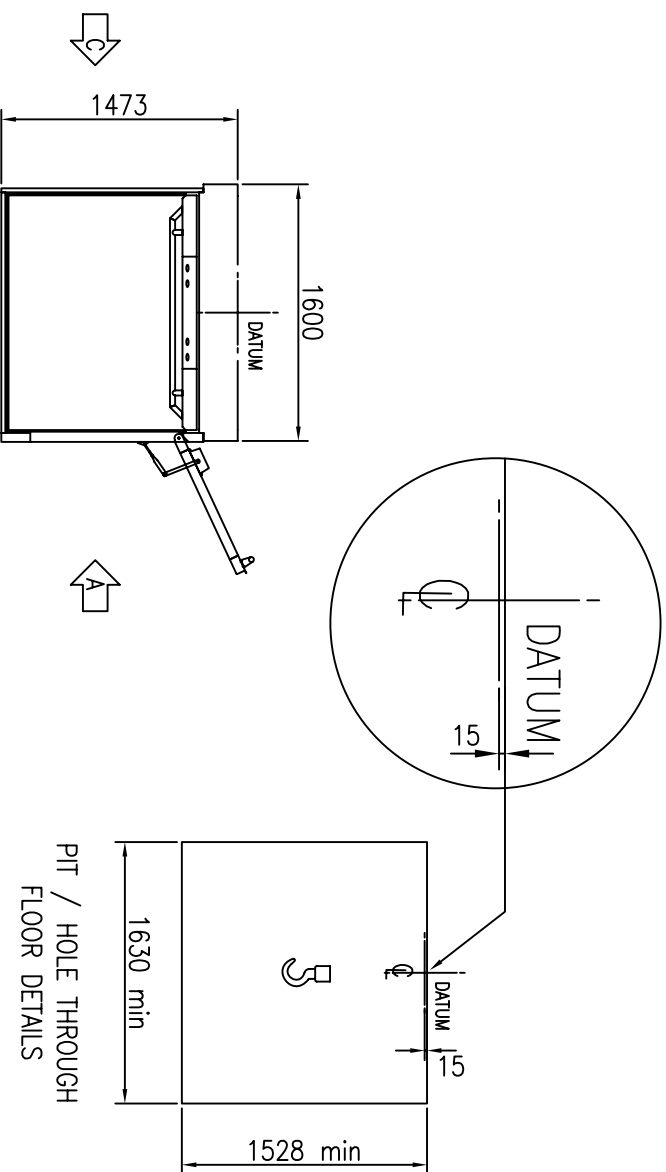


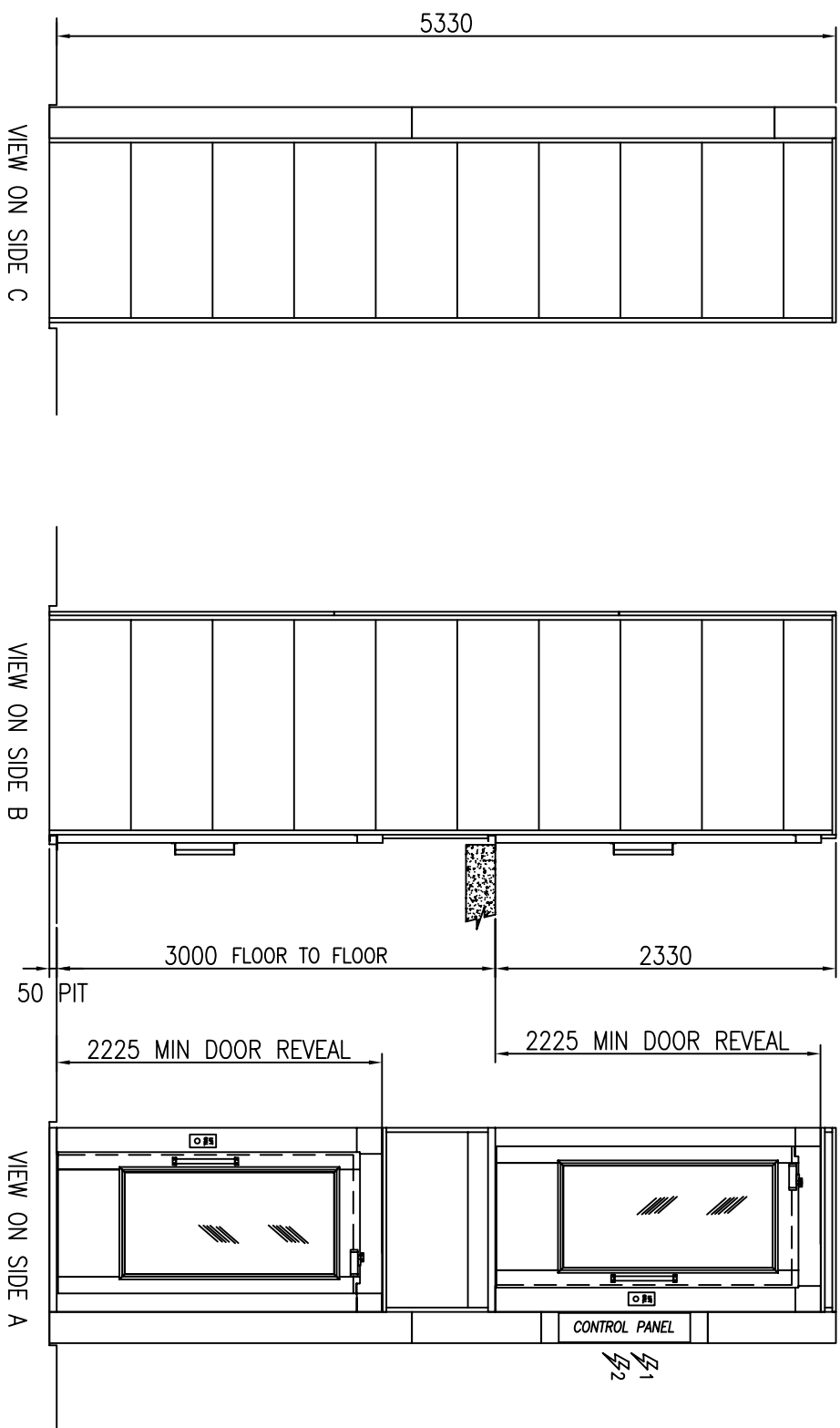
ALL DIM. ARE IN mm

DO NOT SCALE

IF IN DOUBT ASK!



SECTION THROUGH LIFT AT GROUND FLOOR



SPECIFICATION

VERTICAL PLATFORM LIFT FOR USE BY PERSONS WITH IMPAIRED MOBILITY ONLY
LOADING TO 400kg, TWO PERSON OCCUPANCY WITH FULLY ENCLOSED SHAFT
PLATFORM SIZE 1480mm x 1100mm

WAIVER

This data sheet is for guidance only and must not be used for proper working drawings. Please contact Ideal Lifts Ltd for particular details before proceeding. Owing to our policy of continual improvement we reserve the right to alter specifications and dimensions without prior notice.

ELECTRICAL REQUIREMENTS

- ⚡1 LIFT POWER SUPPLY
1 PHASE 230V 20A or
3 PHASE 415V 10A
- ⚡2 CEILING LIGHT POWER SUPPLY
1 PHASE 230V 6A

LIFTING BEAM / POINT REQUIREMENTS

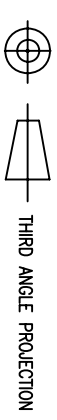
- ⚡1 *LIFTING BEAM / POINT REQUIRED RATED AT 500kg SWL
- ⚡2 *NOT REQUIRED FOR TRAVELS LESS THAN 3000mm

CONTRACT NO:	ORIGINAL SCALE:	1:50
DRAWING NO:	K-TYP02	
TITLE	VERTICAL LIFTING PLATFORM TYPICAL LAYOUT DRAWING DOORS SAME SIDE 1100 PLATFORM	
ISSUE	DRN./DATE	CHANGE DETAILS
CLIENT	-	



Ideal Lifts Ltd
Unit 5D Cranmere Road
Okehampton Devon EX20 1UE
Tel: 01837 659 999 Fax: 01837 659 888

THIS DRAWING IS ISSUED SOLELY ON THE UNDERSTANDING THAT IT IS COPYRIGHT AND CONFIDENTIAL. IT MAY NOT BE USED OR REPRODUCED WITHOUT PRIOR WRITTEN CONSENT OF THE COMPANY



A3