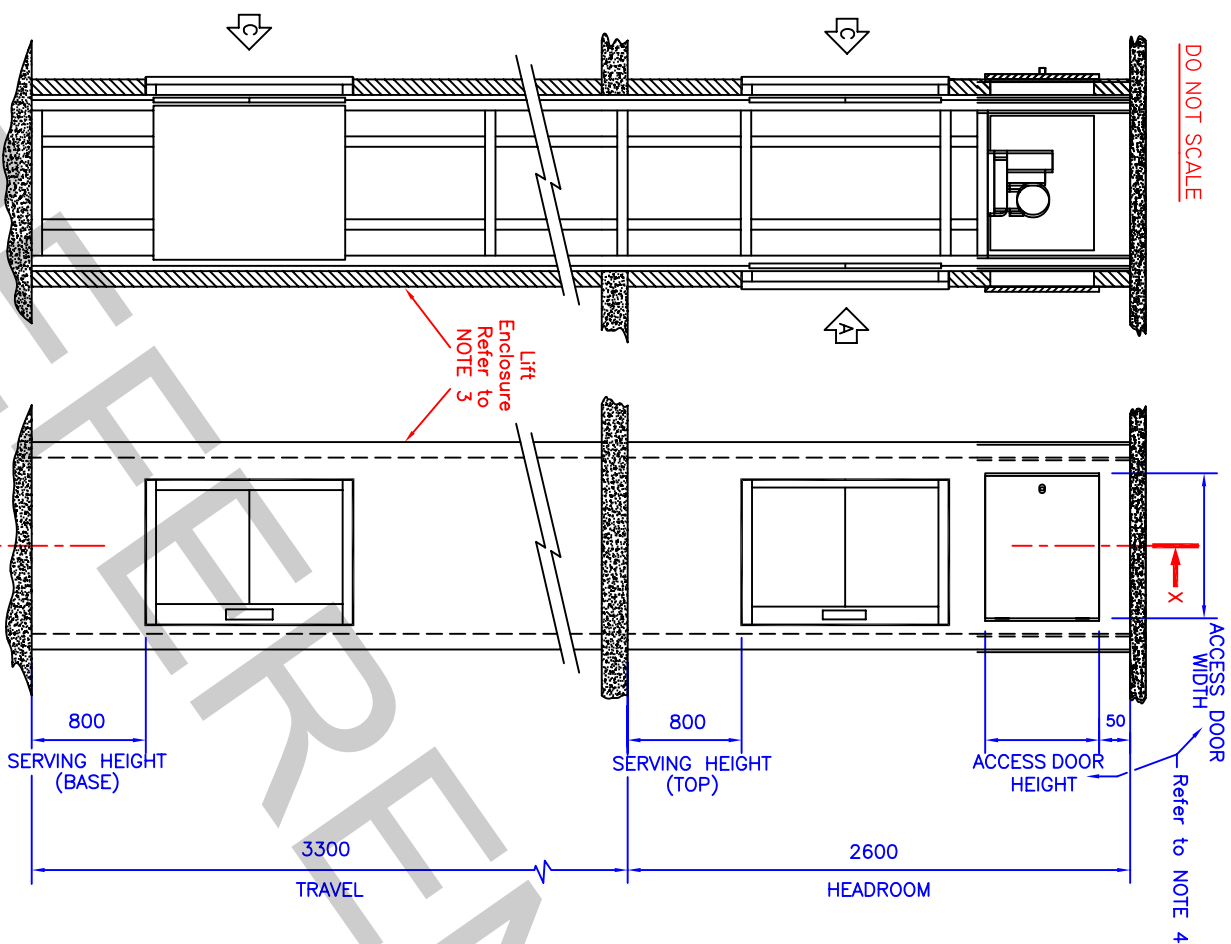
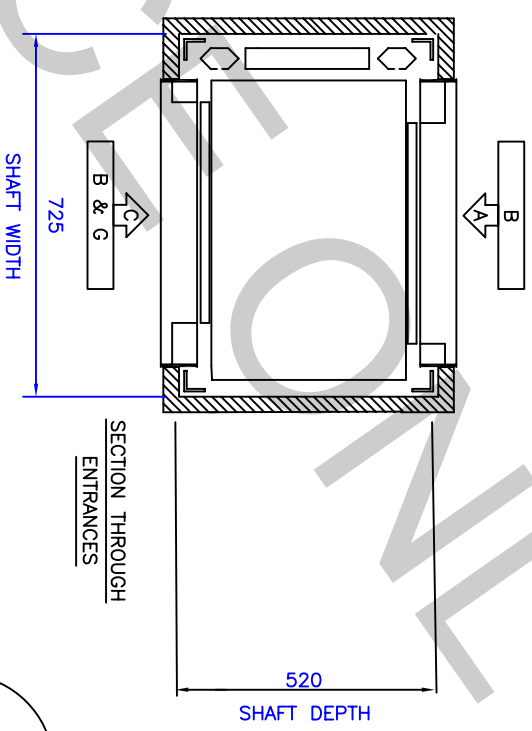


DO NOT SCALE



IF IN DOUBT - ASK

UNLESS WE ARE OTHERWISE ADVISED, THE LIFT WILL BE INSTALLED WITH THE DIMENSIONS AND ENTRANCE CONFIGURATION SHOWN ON THIS DRAWING.



NOTES

1. Please read this drawing in conjunction with our Builder's Work Schedule Stages 1 & 2.
2. Builder to provide floor aperture (lift well) to minimum dimensions width x depth (tolerance +25mm) prior to installation
3. Builder to provide enclosure and entrance liners. Do not obscure shutter/door release keyhole (Detail 'A'). DO NOT BUILD UNTIL AFTER INSTALLATION.
4. We will provide 2 hinged and lockable access door.
5. Builder to provide motor compartment access ladder.

NB If items 3,4, & 5 (Builder's Work Stage 2) are not complete when we return to test, commission and affix a CE Mark to the lift, then an additional return visit charge will be raised in line with our quotation.

TYPICAL SECTION (X-X)

TYPICAL FRONT ELEVATION IN DIRECTION OF ARROW Z

ALL DIMS IN MMS

SITE ADDRESS:
Ronnie Scotts
 47 Frith Street
 London W1

Microlift
DD50
 SERVICE LIFTS

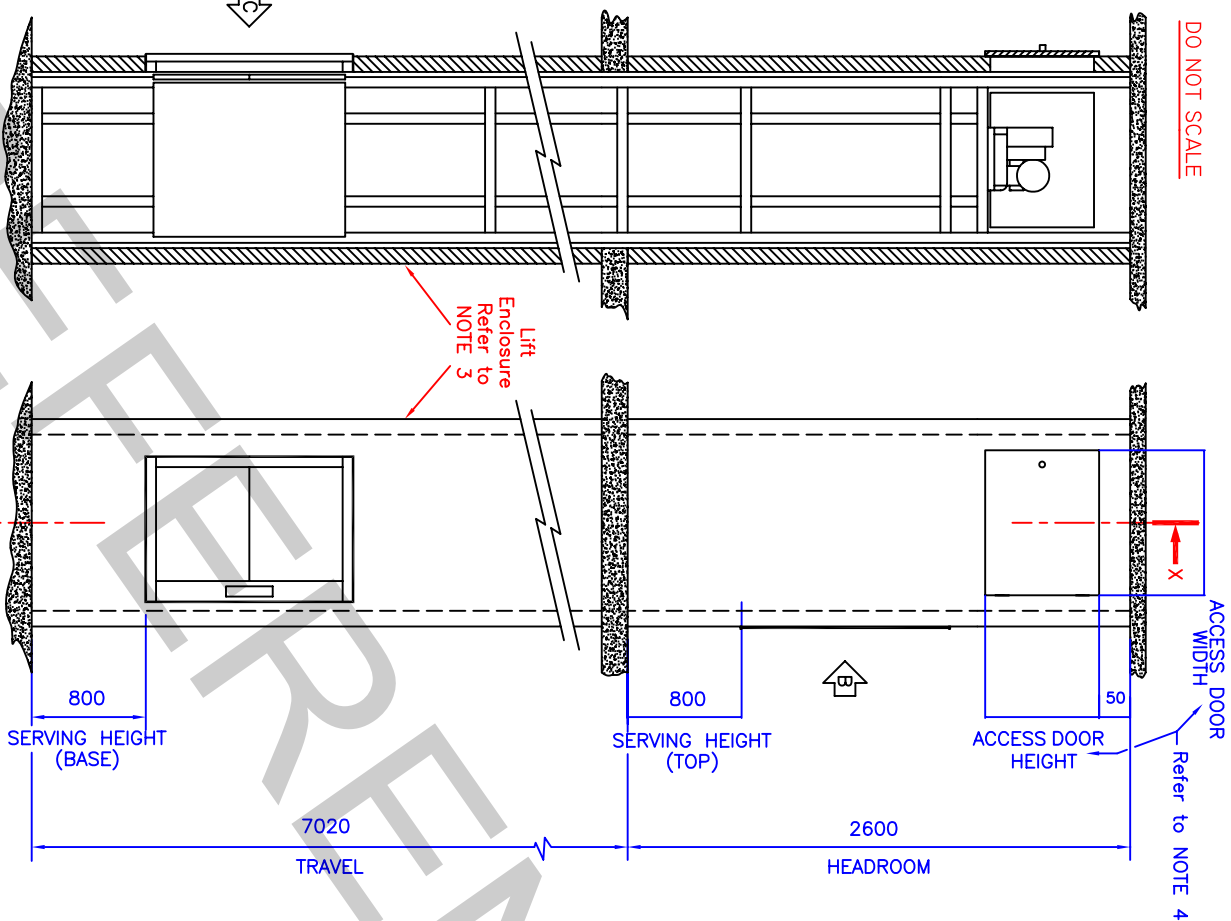
DRAWN BY: C.H DATE: 24/5/06
 DRAWING NUMBER:
 T0604016 rev.2

IDEAL LIFTS LTD
 Unit 5D, Cranmere Road
 Okehampton
 Devon EX20 1UE
 tel: 01837 659999

DO NOT SCALE

IF IN DOUBT - ASK

UNLESS WE ARE OTHERWISE ADVISED, THE LIFT WILL BE INSTALLED WITH THE DIMENSIONS AND ENTRANCE CONFIGURATION SHOWN ON THIS DRAWING.



TYPICAL SECTION (X-X)

TYPICAL FRONT ELEVATION IN DIRECTION OF ARROW Z

ALL DIMS IN MMS

SITE ADDRESS:
Ronnie Scotts
 47 Frith Street
 London, W1

Microlift
50B
 SERVICE LIFTS

DRAWN BY: **CH** DATE: **23/5/06**
 DRAWING NUMBER:
T0604017REV1.

IDEAL LIFTS LTD
 Unit 5D, Cranmere Road
 Okehampton
 Devon EX20 1UE
 tel: 01837 659999

NOTES

1. Please read this drawing in conjunction with our Builder's Work Schedule Stages 1 & 2.
 2. Builder to provide floor aperture (lift well) to minimum dimensions width x depth (tolerance +25mm) prior to installation
 3. Builder to provide enclosure and entrance liners. Do not obscure shutter/door release keyhole (Detail 'A'). DO NOT BUILD UNTIL AFTER INSTALLATION.
 4. We will provide a hinged and lockable access door, as shown,
 5. Builder to provide a 13 amp switched socket for lighting in the motor compartment.
 6. Builder to provide motor compartment access ladder.
- NB If items 3,4,5, & 6 (Builder's Work Stage 2) are not complete when we return to test, commission and affix a CE Mark to the lift, then an additional return visit charge will be raised in line with our quotation.

